

# Table of Contents

## Area Rug Displays

About Best Display .....	1
2 x 3 Accent Rug Displays .....	1
3 x 5 Rug Displays .....	2
4 x 6 Displays .....	2-4
5 x 8 Displays .....	5
Nominal 6 x 9 Displays .....	5-6
Full Size 6 x 9 Displays .....	7-10
8 x 10 Displays .....	10-11
9 x 12 Displays .....	12-13
Custom Sample Systems .....	14
Rug Hoist .....	14
Specifications .....	14
Floor Plans .....	15

## Carpet Sample Displays

Sample Board Displays .....	16
System 9 Modular Displays .....	16-19
Self Standing Units .....	19-21
Wall Mounted Units .....	21

## Roll Displays

Portable Island .....	22
Wall Displays .....	23
Vinyl Roll Display .....	23
Grass & Bath Carpet Racks .....	23
Roll Runners & Remnants .....	24
Roll Conveyors .....	24-25
Assemblies .....	25

## Tile Sample Displays

Tile Sample Displays .....	26-28
----------------------------	-------

## Sales Accessories

Hangers and Clips .....	29
Sales Aids .....	30
Time and Labor Savers .....	30

## Ordering Information

Ordering Information .....	31
----------------------------	----



## About Best Display

IN 1892:

John H. Best founded a new company to serve the needs of an important industry. His Products: display racks for buggy whips and carriage rugs. His Philosophy: "Goods well displayed are half sold." The usefulness and inventiveness of his products and his reputation for fairness and top quality combined to help his business grow and prosper.

TODAY:

John H. Best Display Systems is now owned and operated by Ron and Teri Pankau. Under their supervision, we are continuing to grow as the only full-line supplier of carpet and rug displays in the industry, with a wide range of products, including carpet roll display systems, area rug displays, carpet and tile sample display systems, and a full selection of display needs for large and small outlets alike.

At Best, we're constantly putting our years of experience to work to address your changing needs. As a result, we now offer a full line of displays that are designed to fit your requirements as dictated by product line and showroom design.



## Area Rug Displays



### RD 23 2' x 3' Accent Rug Display



#### RD 23 2' x 3' Accent Rug Display

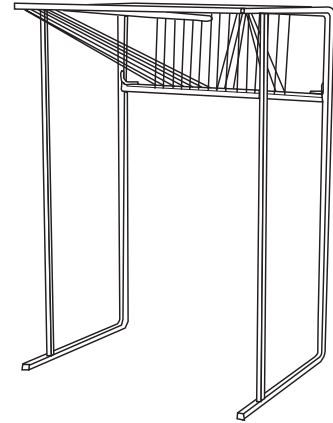
- Display Capacity: Forty (40) Rugs, Ten (10) Arms
- Dimensions: 80" H x 51" W x 31" D (Includes Header)
- Header: Company Logo Quoted Separately
- Assembly: Minimal Assembly Required
- Finish: Black Powder Coated
- Also Available in 15 Arm
- Clips: **Best #1 H Clips** (Sold Separately) See Accessories page 29.

## 3 x 5 Area Rug Display Systems



### 3 x 5 Area Rug Display

- Dimensions: 52"W x 66"T x 38"D
- Capacity: 30 - 3 x 5 Rugs (15 arms)
- One Piece Arm (No Assembly Required)
- Minimal Assembly Required for Display Body
- **Best #2H** Clips (Sold Separately) See Accessories page 29.
- Finish: Almond Powder Coated
- Ship Via Truck



## 4 x 6 Area Rug Display Systems



### 4 x 6 FM Series Floor Mounted Display

Best FM Series Displays provide versatility for heavier goods. A sturdy, all-steel design bolts together easily.

Model **FM 46-10** with 10 **R 46** (3/4") arms and braces

Model **FM 46-20** with 20 **R 46** (3/4") arms and braces

Unit Height: 7' 3"

Finish: Almond Powder Coated

Optional Rug Wings: **WW-72** mesh-style for shaped rugs can be mixed or substituted. Priced separately.

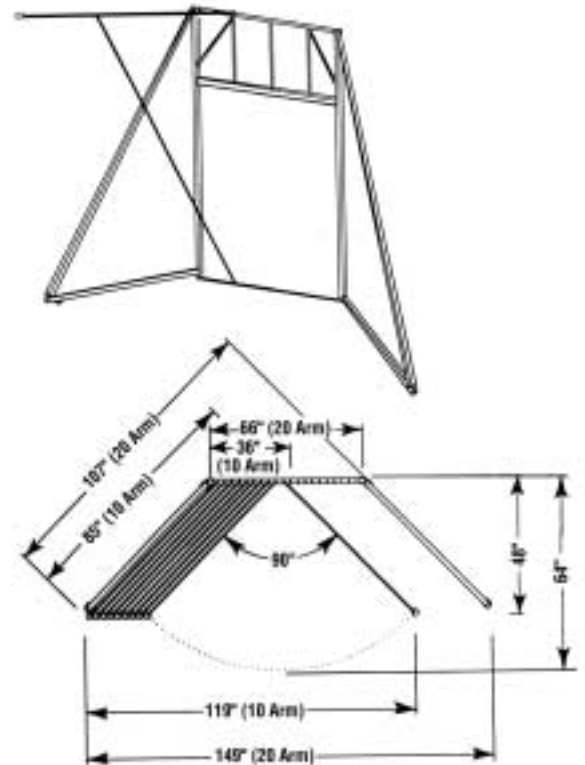
Clips: **Best #1** (3/4") on **R 46** arm

**Best #1W** on **WW-72** wing

Sold separately. See Accessories page 29.

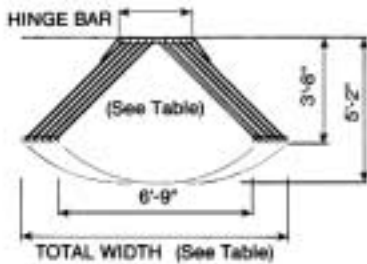
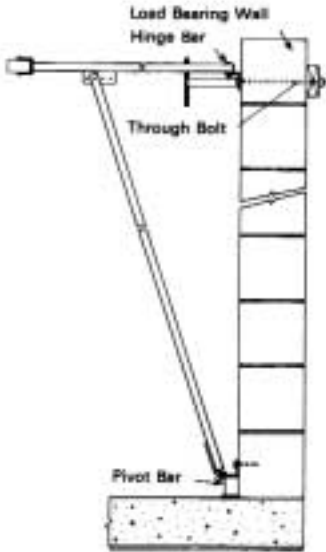
### Stationary Arm for FM 46-10 and 20

- Additional display capacity - each stationary arm accepts two rugs back to back.
- When rugs are hung on stationary arms, most of the leg and strut assembly is concealed.
- See page 8 for photo.





## 4 x 6 Area Rug Display Systems cont.



### 4x6 WM Series Wall-Mounted Display

Best WM Series Wall-Mounted Displays are for mounting to load bearing or reinforced walls only. Please consult with your building engineer or architect before ordering. When installed, one third of the weight is supported by the hinge bar, while the remaining two thirds is transferred to the pivot bar, which rests on the floor.

Model **WM 46** with 10 to 50 **R 46** (3/4") arms and braces.

Unit Height: 7'2"

Finish: Almond Powder Coated

Optional Rug Wings: **WW-72** mesh-style for shaped rugs can be mixed or substituted. Priced separately.

Clips: **Best #1 (3/4")** on **R 46** arm

**Best #1W** on **WW-72** wing

Sold separately. See Accessories page 29.

Metric (2m x 1.4m and 2.4m x 1.4m) floor mounted, wall mounted and floor-to-ceiling displays are available. All metric fixtures are quoted upon request.

### Display Width (for WM and 103-B Displays)

Number of Arms	10	15	20	25	30	35	40	45	50
Hinge Bar Width	2'6"	3'9"	5'0"	6'3"	7'6"	8'9"	10'0"	11'3"	12'6"
Total Width	9'3"	10'6"	11'9"	13'0"	14'3"	15'6"	16'9"	18'0"	19'3"



### 4x6 103-B Series Floor-to-Ceiling Mounted Display for Non-Load Bearing Walls

Best 103-B Series floor-to-ceiling mounted displays are used when you do not have an appropriate load bearing wall, but wish to use a wall mount type display. See the chart provided for the WM Series for display width information.

Unit Height: 7'3"

Finish: Almond Powder Coated

Optional Rug Wings: **WW-72** mesh-style for shaped rugs can be mixed or substituted. Priced separately.

Clips: **Best #1 (3/4")** on **R 46** arm

**Best #1W** on **WW-72** wing

Sold separately. See Accessories page 29.



## 4x6 Compact Floor Mounted Rug Display

A cost effective space saver for light to medium goods (30 pound weight limit per arm).

Model **AP-462-10** with 10 ARM-1 arms and braces

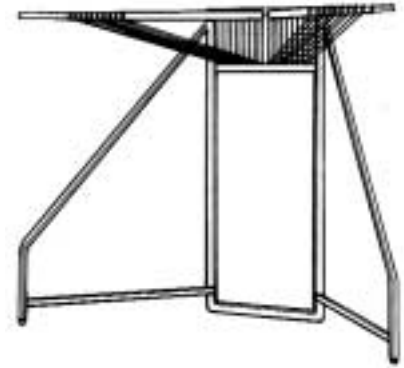
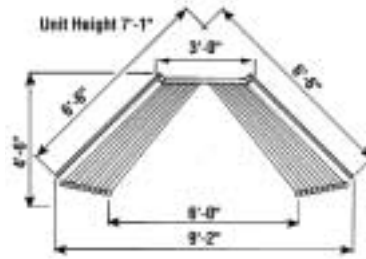
Model **AP-462-20** with 20 ARM-1 arms and braces

Unit Height: 7'1"

Finish: Almond Powder Coated

Clips: **Best #1H**

Sold separately. See Accessories page 29.



## 4x6 Compact Wall-Mounted Rug Display

Attaches to any solid wall with adequate strength to display light to medium goods (30 pound weight limit per arm).

Model **APW-462-10** with 10 ARM-1 arms and braces

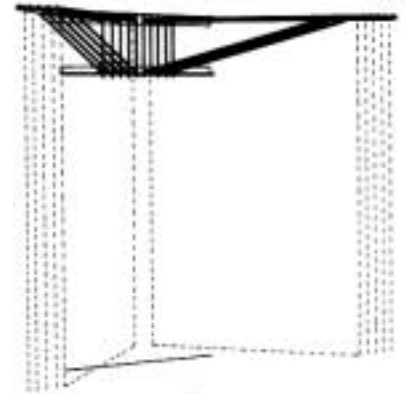
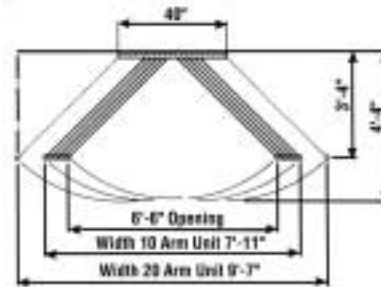
Model **APW-462-20** with 20 ARM-1 arms and braces

Mounting Height: 7' 0"

Finish: Almond Powder Coated

Clips: **Best #1H**

Sold separately. See Accessories page 29.



## 4x6 Self-Standing Rug Hanger Rack

Displays 15 to 20 rugs from 48" rod. Can be moved easily as display needs change.

Model **520/525** with 48" hanger rod

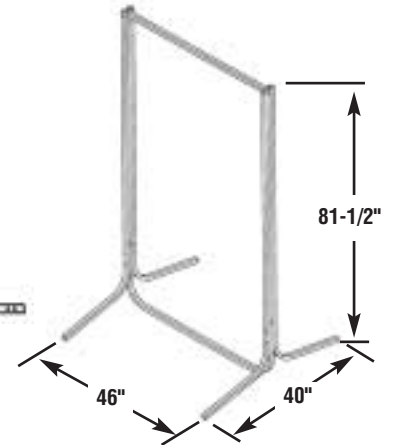
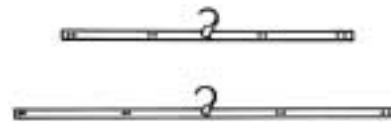
Unit Height: 6'10"

Finish: Almond Powder Coated

Rug Hangers: **RG-36** Hanger (3')

**RG-48** Hanger (4')

Heavy Duty, Metal Rug Hangers with Clips sold separately.



## 4x6 Self-Standing Rug Easel

Displays one or two rugs.

Model **525**

Unit Height: 3' to 5'

Finish: Almond Powder Coated

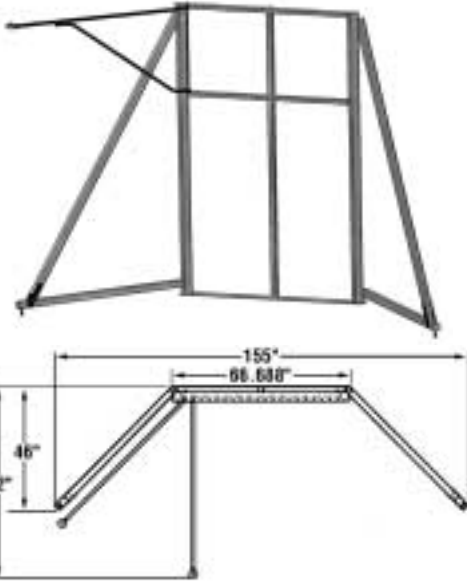
Clips: **Best #1 (1")**

Sold separately. See Accessories page 29.





## 5 x 8 Area Rug Display



### Model DI-58-20 Floor Mounted Display

Best floor mounted drop in arm display is built for your 5x8 rugs. 20 arm display holds 40 rugs.

Unit Height: 8' 5"

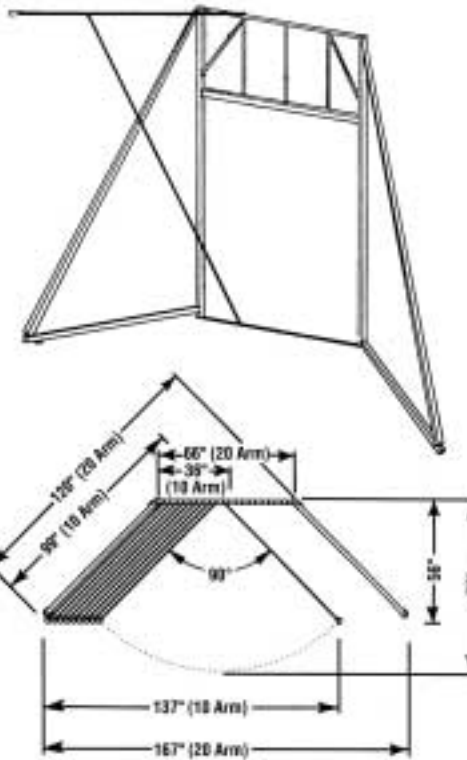
Finish: Black Powder Coated

Clips: **Best #1-1**

Sold separately. See Accessories page 29.



## Nominal 6 x 9 Area Rug Display Systems



### Nominal 6x9 FM Series Floor Mounted Display

Best FM Series Displays provide versatility for heavier goods. A sturdy, all-steel design bolts together easily.

Model **FM 68-10** with 10 **R 68** (1") arms and braces

Model **FM 68-20** with 20 **R 68** (1") arms and braces

Unit Height: 8' 10"

Finish: Almond Powder Coated

Optional Rug Wings: **WW-88** mesh-style for shaped rugs can be mixed or substituted. Priced separately.

Clips: **Best #1 (1")** on **R 68** arm

**Best #1W** on **WW-88** wing

Sold separately. See Accessories page 29.

30 arm and 40 arm floor mounted displays are also available.



## Nominal 6 x 9 Area Rug Display Systems cont.



### Nominal 6x9 WM Series Wall-Mounted Display

Best WM Series Wall-Mounted Displays are for mounting to load bearing or reinforced walls only. Please consult with your building engineer or architect before ordering. When installed, one third of the weight is supported by the hinge bar, while the remaining two thirds is transferred to the pivot bar, which rests on the floor.

Model **WM 68** with 10 to 50 **R 68** (1") arms and braces.

Unit Height: 8'10"

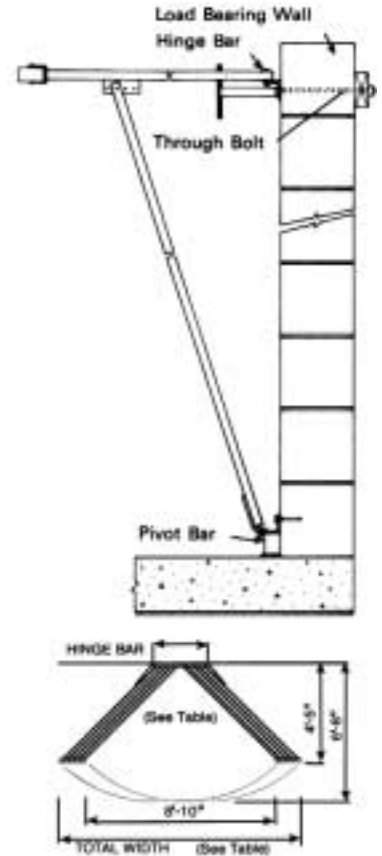
Finish: Almond Powder Coated

Optional Rug Wings: **WW-88** mesh-style for shaped rugs can be mixed or substituted. Priced separately.

Clips: **Best #1 (1")** on **R 68** arm

**Best #1W** on **WW-88** wing

Sold separately. See Accessories page 29.



### Display Width (for WM and 103-B Displays)

Number of Arms	10	15	20	25	30	35	40	45	50
Hinge Bar Width	2'6"	3'9"	5'0"	6'3"	7'6"	8'9"	10'0"	11'3"	12'6"
Total Width	11'4"	12'7"	13'10"	15'1"	16'4"	17'7"	18'10"	20'1"	21'4"

### Nominal 6x9 103-B Series Floor-to-Ceiling Mounted Display for Non-Load Bearing Walls

Best 103-B Series floor-to-ceiling mounted displays are used when you do not have an appropriate load bearing wall, but wish to use a wall mount type display.

See the chart provided for the WM Series for display width information.

Model **103-B** with 10 to 50 **R 68** (1') arms and braces

Unit Height: 8'10"

Finish: Almond Powder Coated

Optional Rug Wings: **WW-88** mesh-style for shaped rugs can be mixed or substituted. Priced separately.

Clips: **Best #1(1")** on **R 68** arm

**Best #1W** on **WW-88** wing

Sold separately. See Accessories page 29.



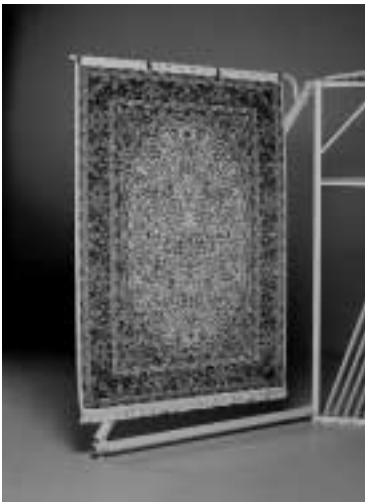


## Full Size 6 x 9 Area Rug Display Systems



### BS-1069 6 x 9 Area Rug Display

- Display requires minimal floor space
- Telescopic track sections return to "at rest position" via gravity.
- Dimensions (including 6" tall header): 72"D x 50"W x 127"T
- Ten (10) tracks, twenty (20) -rug capacity on sliding arms.
- Majority of the rug is visible when sliding arm is fully extended.
- Two (2) additional rugs displayed, one (1) on each side of display.
- Total capacity: twenty-two (22) full size 6x9 rugs.
- Finish: Almond Powder Coated
- **Best # 1 (1")** Clips recommended



\*Shown on FM68

### Stationary Arm for Floor Mounted 4 x6 Through 9 x 12 Displays

Each leg assembly accepts one stationary arm. Two stationary arms can be used on one floor mounted display.

#### Benefits:

- Additional display capacity - each stationary accepts two rugs back to back
- When rugs are hung on stationary arms, most of the leg and strut assembly is concealed



### Best Freedom 690

The **Best Freedom 690** space-saving rug display lets you show up to 40 6x9 rugs in less space than ever before. In addition, it offers these advantages:

- Freedom to display full size 6x9 rugs under an 8' ceiling
- Freedom from Clips and pins (and the damage they can cause)
- Freedom from ladders and provides eye level arm height for easy assembly, loading and unloading
- Freedom to place floor mounted units for maximum use of adjacent space
- Wall mounted units available
- \* 4 x 6 rugs can be hung horizontal with Clips, **Best #1 (3/4")**, four per arm
- Dimensions: 74" H x 172" W x 84" D

# Full Size 6 x 9 Area Rug Display Systems cont.



## Full Size 6x9 FM Series Floor Mounted Display

Best FM Series Displays provide versatility for heavier goods. The sturdy, all-steel design bolts together easily. Thirty and forty floor mounted displays are also available and can be quoted upon request.

Model **FM 69-10** with 10 **R 68** (1") arms and braces

Model **FM 69-20** with 20 **R 68** (1") arms and braces

**MaxRak 25 R69** (1") arms and braces

Unit Height: 9' 10"

Finish: Almond Powder Coated

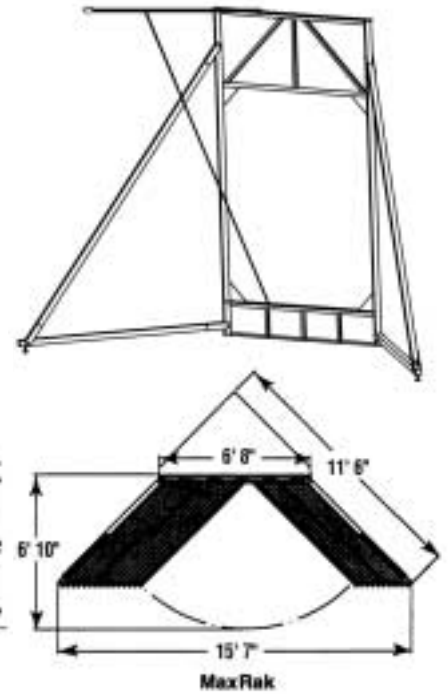
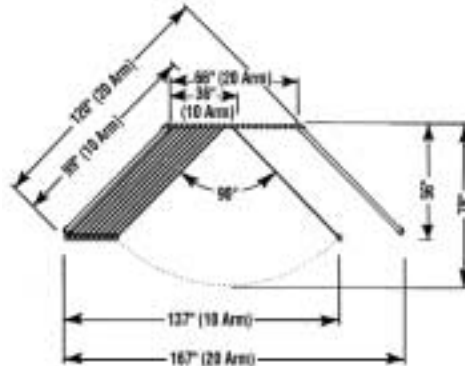
Optional Rug Wings: **WW-88** mesh-style for shaped rugs can be mixed or substituted on 10 and 20 arm models, **WW-95** on 25 arm model. Priced separately.

Clips: **Best #1 (1")** on **R 68/R 69** arm

**Best #1W** on **WW-88/WW-95** wing

Sold separately. See Accessories page 29.

30 arm and 40 arm floor mounted displays are also available.



## Full Size 6x9 WM Series Wall-Mounted Display

Best WM Series Wall-Mounted Displays are for mounting to load bearing or reinforced walls only. Please consult with your building engineer or architect before ordering.

When installed, one third of the weight is supported by the hinge bar, while the remaining two thirds is transferred to the pivot bar, which rests on the floor.

Model **WM 69** with 10 to 50 **R 69** (1") arms and braces.

Unit Height: 9'10"

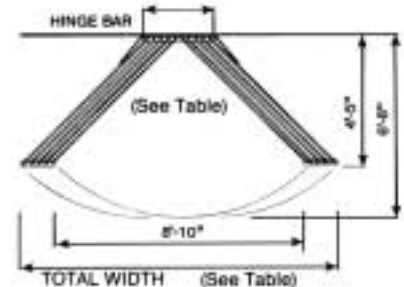
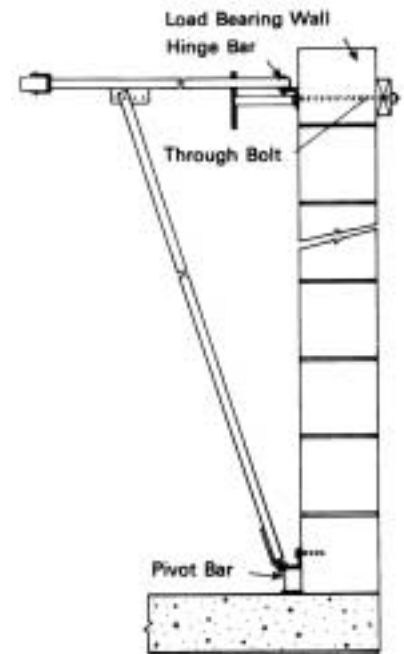
Finish: Almond Powder Coated

Optional Rug Wings: **WW-95** mesh-style for shaped rugs can be mixed or substituted.

Priced separately.

Clips: **Best #1 (1")** on **R 69** arm

Sold separately. See Accessories page 29.



### Display Width (for WM and 103-B Displays)

Number of Arms	10	15	20	25	30	35	40	45	50
Hinge Bar Width	2'6"	3'9"	5'0"	6'3"	7'6"	8'9"	10'0"	11'3"	12'6"
Total Width	11'4"	12'7"	13'10"	15'1"	16'4"	17'7"	18'10"	20'1"	21'4"





## Full Size 6 x 9 Area Rug Display Systems cont.



### Full Size 6x9 103-B Series Floor-to-Ceiling Mounted Display for Non-Load Bearing Walls

Best 103-B Series floor-to-ceiling mounted displays are used when you do not have an appropriate load bearing wall, but wish to use a wall mount type display.

See the chart provided for the WM Series for display width information.

Model **103-B** with 10 to 50 **R 69** (1") arms and braces

Unit Height: 9'10"

Finish: Almond Powder Coated

Optional Rug Wings: **WW-95** mesh-style for shaped rugs can be mixed or substituted.

Priced separately.

Clips: **Best #1 (1")** on **R 69** arm

Sold separately. See Accessories page 29.



### Full Size 6x9 BestTrak Floor Mounted Display Systems

BestTrak 6x9 floor mounted rug displays are available in island or wall plan models.

Island units offer a two sided walk-through display, showing two rugs per sliding arm.

Wall units show one rug per arm, with all rugs facing out for the greatest impact. (Note: island plans offer twice the display capacity.) Two or three bay models are in stock while other configurations are available made-to-order.

Display units are made of heavy duty welded steel frame components, designed for bolt-together assembly.

Heavy duty Best rug arms are 200 lb tested. Jumbo rug clips make rug hanging easy.

Optional mesh-style arms are available for displaying oval rugs. Standard color is almond.

Model **BT-1000** Two Bay Island...Show 20 rugs. 12'2" wide, 4'0" deep, 9'10" tall

Model **BT-2000** Three Bay Island...Show 40 rugs. 18'2" wide, 4'0" deep, 9'10" tall

Model **BT-1015** Two Bay Wall Unit...Show 15 rugs. 12'1" wide, 4'3" deep, 9'10" tall

Model **BT-2030** Three Bay Wall Unit...Show 30 rugs. 18'1" wide, 4'3" deep, 9'10" tall

**Metric (2m x 3m / 2m x 1.4m and 2m x 2.4m) floor mounted, wall mounted and floor to ceiling displays are available. All metric fixtures are quoted upon request.**

## Full Size 6 x 9 Area Rug Display Systems cont.



### Full Size 6x9 BestTrak Ceiling Mounted Display Systems

Individual track sections provide maximum flexibility for customized 6x9 displays. Contact us for additional information on displays sized specifically for 6x9 goods. Standard color is almond.



#### Two Bay Plan

Model **BTRS-69-12**

Will show 6x9 rugs up to 72" x 108" standard size. Fixture includes one 12 ft. track length, one 72" slider arm and arm stops.

#### Three Bay Plan

Model **BTRS-69-18**

Displays 6x9 rugs up to 72" x 108" standard size. Fixture includes one 18 ft. jointed track length (12 ft. and 6 ft. sections), two 72" slider arms and arm stops.

Track Mounting Height: 9'10"

Min. Track Spacing

Single Side Display...3" c/c

Double Side Display...4" c/c

(Note: Jointed track lengths require overhead support at the track joint. Mounting brackets sold separately.)

## 8 x 10 Area Rug Display Systems



### 8x10 MaxRak 25 Floor Mounted Display

Best MaxRak Displays provide versatility for your heaviest goods. A sturdy, all-steel design bolts together.

**MaxRak 25** with 25 **R 810** arms and braces

Unit Height: 10' 7"

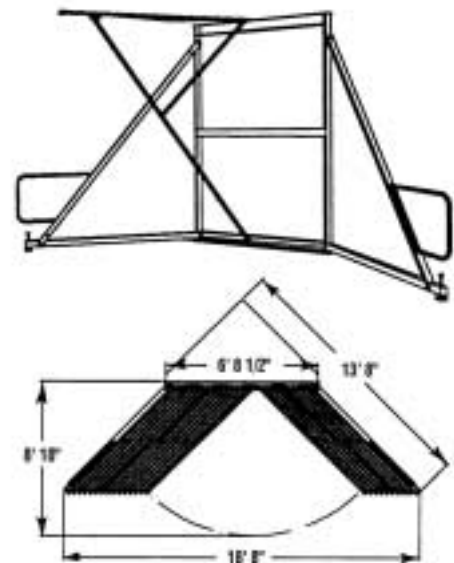
Finish: Almond Powder Coated

Clips: **Best #1 (1")**

Sold separately. See Accessories page 29.

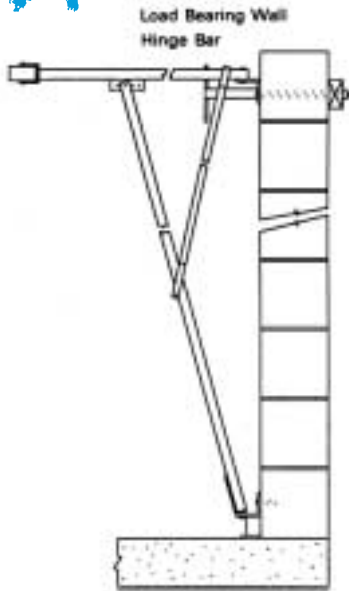
#### Stationary Arm for 8x10 MaxRak

- Additional display capacity - each stationary accepts two rugs back to back
- When rugs are hung on stationary arms, most of the leg and strut assembly is concealed
- See page 8 for photo





## 8 x 10 Area Rug Display Systems cont.



### 8 x 10 WM Series Wall-Mounted Display

Best WM Series Wall-Mounted Displays are for mounting to load bearing or reinforced walls only. Please consult with your building engineer or architect before ordering. When installed, one third of the weight is supported by the hinge bar, while the remaining two thirds is transferred to the pivot bar, which rests on the floor.

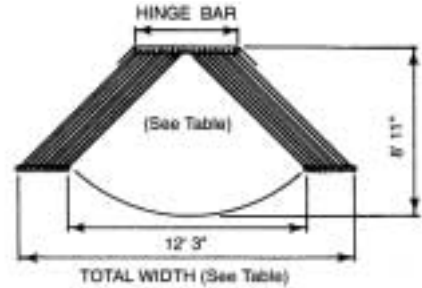
Model **WM 810** with 10 to 50 **R 810** arms and braces.

Unit Height: 10'6"

Finish: Almond Powder Coated

Clips: **Best #1 (1")**

Sold separately. See Accessories page 29.



### Display Width (for WM and 103-B Displays)

Number of Arms	10	15	20	25	30	35	40	45	50
Hinge Bar Width	2'6"	3'9"	5'0"	6'3"	7'6"	8'9"	10'0"	11'3"	12'6"
Total Width	14'9"	16'0"	17'3"	18'6"	19'9"	21'0"	22'3"	23'6"	24'9"



### 8 x 10 103-B Series Floor-to-Ceiling Mounted Display for Non-Load Bearing Walls

Best 103-B Series floor-to-ceiling mounted displays are used when you do not have an appropriate load bearing wall, but wish to use a wall mount type display.

See the chart provided for the WM Series for display width information.

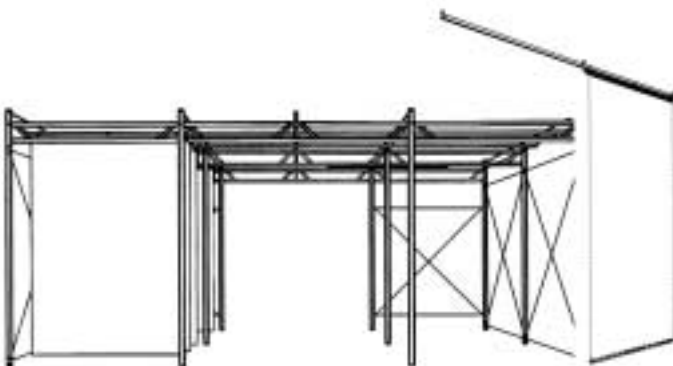
Model **103-B** with 10 to 50 **R 810** arms and braces

Unit Height: 10'6"

Finish: Almond Powder Coated

Clips: **Best #1 (1")**

Sold separately. See Accessories page 29.



### 8x10 BestTrak Floor Mounted and Ceiling Mounted Rug Display Systems

BestTrak floor mounted and ceiling mounted display systems are available for 8x10 rugs on a made-to-order basis. To order, or for more information, simply describe the floor space you have to work with and the size and number of rugs you wish to display. This information will enable us to submit a proposal designed to meet your needs.

# 9 x 12 Area Rug Display Systems



## 9 x 12 MaxRak 25 Floor Mounted Display

Best MaxRak Displays provide versatility for your heaviest goods. A sturdy, all-steel design bolts together.

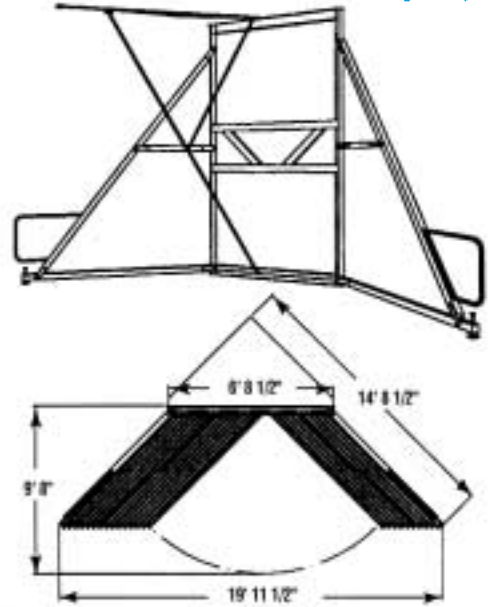
**MaxRak 25** with 25 **R 912** arms and braces

Unit Height: 12' 7"

Finish: Almond Powder Coated

Clips: **Best #1 (1")**

Sold separately. See Accessories page 29.



## Stationary Arm for 9x12 MaxRak

- Additional display capacity - each stationary accepts two rugs back to back
- When rugs are hung on stationary arms, most of the leg and strut assembly is concealed
- See page 8 for photo

**Nominal 9x12 displays are available for machine made rugs in both floor mounted, wall mounted and floor to ceiling mounted display bodies.**

## 9 x 12 WM Series Wall-Mounted Display

Best WM Series Wall-Mounted Displays are for mounting to load bearing or reinforced walls only. Please consult with your building engineer or architect before ordering.

When installed, one third of the weight is supported by the hinge bar, while the remaining two thirds is transferred to the pivot bar, which rests on the floor.

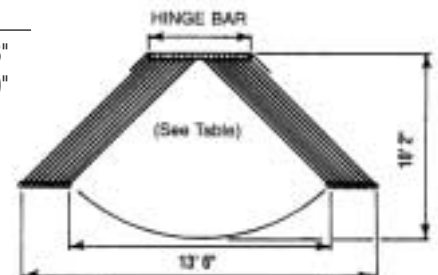
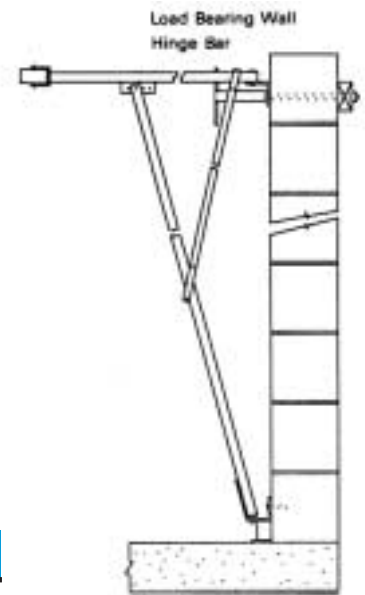
Model **WM 912** with 10 to 50 **R 912** arms and braces.

Unit Height: 12'6"

Finish: Almond Powder Coated

Clips: **Best #1 (1")**

Sold separately. See Accessories page 29.



### Display Width (for WM and 103-B Displays)

Number of Arms	10	15	20	25	30	35	40	45	50
Hinge Bar Width	2'6"	3'9"	5'0"	6'3"	7'6"	8'9"	10'0"	11'3"	12'6"
Total Width	16'0"	17'3"	18'6"	19'9"	21'0"	22'3"	23'6"	24'9"	26'0"

8 x 10 Area Rug Displays & 9 x 12 Area Rug Displays



## 9 x 12 Area Rug Display Systems cont.



### 9 x 12 103-B Series Floor-to-Ceiling Mounted Display for Non-Load Bearing Walls

Best 103-B Series floor-to-ceiling mounted displays are used when you do not have an appropriate load bearing wall, but wish to use a wall mount type display.

See the chart provided for the WM Series for display width information.

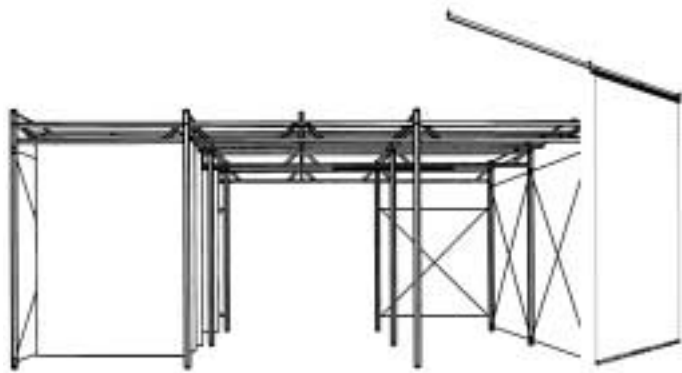
Model **103-B** with 10 to 50 **R 912** arms and braces

Unit Height: 12'6"

Finish: Almond Powder Coated

Clips: **Best #1 (1")**

Sold separately. See Accessories page 29.



### 9 x 12 BestTrak Floor Mounted and Ceiling Mounted Rug Display Systems

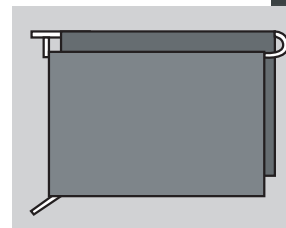
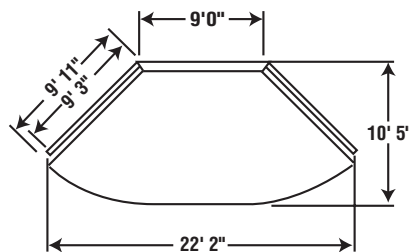
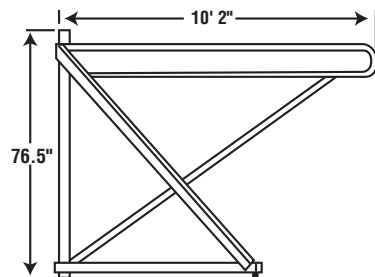
BestTrak floor mounted display systems are available for 9x12 rugs on a made-to-order basis. To order, or for more information, simply describe the floor space you have to work with and the size and number of rugs you wish to display. This information will enable us to submit a proposal designed to meet your needs.

### Freedom 912

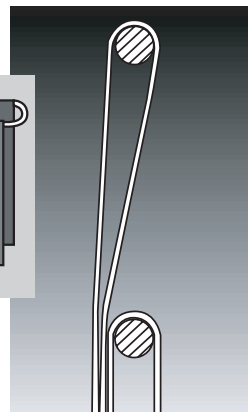
Since rugs can be draped over both the top and bottom rungs of each low profile swing arm, you can show more rugs. Even in prime retail areas with limited ceiling height, Freedom 912 may be the right choice. Mix in different sizes and shapes on the same display.



- Lower arm height eliminates need for ladders so you don't have to climb to hang heavy rugs.
- Because rugs drape over the arms there's no need for damaging clips or pins.
- Rugs must be pliable to allow them to be draped over the arms.
- Wall mounted body styles are also available.



Side View with Rugs



Swing Arm Cross Section





Whether it be for tile, rugs and carpeting or any product requiring a custom fabricated display, Best Displays will address specific needs through the creation of Custom Display Systems. Larger scale Displays such as 10 x 14 Custom Display Systems can be created to meet your requirements.

The Sliding Area Rug Display System shown is a custom installation for Pier 1 Imports.



## Rug Hoist



One person can do it all. Simply load the rug you wish to display onto the Rug Hoist. Then push the control button to raise your rug into place. The rug unrolls as the carriage is lowered. After completion, just roll the rug hoist away.

- Raises rugs as large as 9 x 12, 300 lbs up to 15 feet
- No electric cords - powered entirely by CO2 canisters
- Comes with two CO2 canisters - enough for 400 lifts
- V-shaped carriage won't catch on rack bolts, nuts or arms
- Can be used with pallet racking or any rack system
- Saves hours of labor and manpower



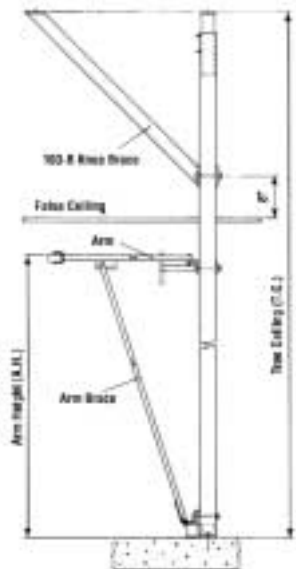
## Specifications and Floor Plans

### Specifications

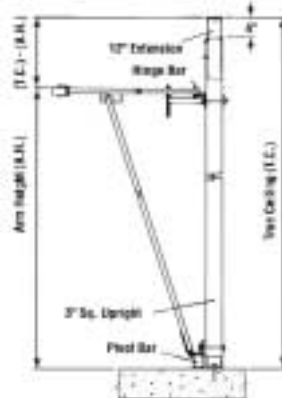


#### 103-B Cross-Sections

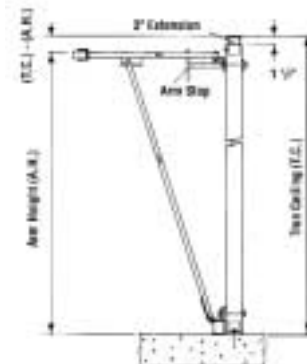
Select the Cross-Section design that meets your installation requirements



High Ceiling Installation - Uprights exceed 36" above arm height



Standard Installation - True Ceiling Min. 14" above arm height



Low Ceiling Installation - True Ceiling Min. 3" above arm height



## How to Order

### Phone Order

Call TOLL FREE 1-800-344-BEST. Sales Representatives are available from 7:30 am to 4:30 pm CST/CDT Monday thru Friday. Please have your catalog handy when placing an order.

FAX: 1-309-932-2127 Available 24 hours.

### Pricing

Prices are subject to change without notice. Please have prices quoted when placing your order.

### Terms

Net 30 days only to accounts rated 1 or 2 in D&B and with credit approval. No cash discounts allowed. To avoid delay, use your VISA, Mastercard, American Express or mail a check with your order. **NO C.O.D. ORDERS.**

### Shipping and Handling

F.O.B., Warehouse or Shipping Point and will be shipped the most economical way, unless instructions are enclosed with order. Shipping and handling charges added to the bottom of order.

Minimum Charge Card Order: \$25.00

\$2.50 handling charge added to orders under \$25.00.

### Damaged Goods

UPS Shipment: When merchandise is discovered damaged after opening, call UPS for an inspection report and require UPS to return the item to us. **DO NOT RETURN MERCHANDISE YOURSELF.**

TRUCK Shipment: Note damage on both the driver's copy and your copy. Have the driver sign both copies. You can now file the claim with the carrier. If concealed damages are found, keep the carton and call the carrier for an inspection report. If we can be of any service to help file claims, call our customer service department. **DO NOT REFUSE OR RETURN DAMAGED GOODS TO US.**

### Returned Goods

Do not return goods without first receiving permission from us. Returns are subject to a 20% restocking charge. Requests for returns **MUST BE RECEIVED WITHIN 15 DAYS OF DELIVERY.**

### Backorders

If item is out of stock, we will Back Order unless requested not to do so.

